

RHE 07 / RHE 08 - The advanced Rheonik transmitters

Thousands of units worldwide in use. Suitable for all Rheonik mass flowmeters, with multiple functions and outputs.

The RHE 07



FEATURES RHE 07

- Rack mounting version
- Allows to operate flow sensor in hazardous area, optional: ATEX Approval Ex II (1) G [EEx ia] IIC or CSA 220705 - Class 1, Div 2
- 2 analog outputs (0/4 - 20/22 mA)
- 1 pulse/frequency output - 2 inputs
- Available in all common supply voltages
- Multifunctions (density, brix, concentration...)
- Version available with RS 422/485/232
- Protection class: IP 20 / Nema 1
- Power consumption: < 15 W
- Temperature range: -40 to +60°C
- NMI custody transfer approved version available (TC 3382) with double pulse output
- Batch control

The RHE 08



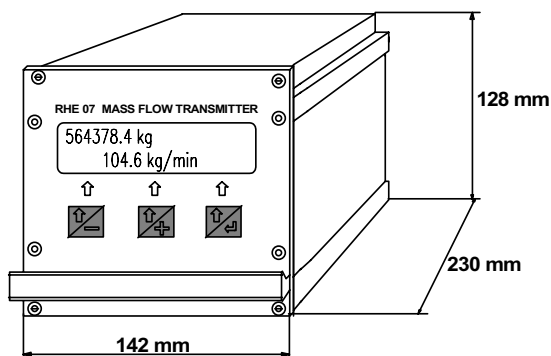
FEATURES RHE 08

- Wall mounting version
- Allows to operate flow sensor in hazardous area, optional: ATEX Approval Ex II (1) G [EEx ia] IIC or CSA 220705 - Class 1, Div 2
- 2 analog outputs (0/4 - 20/22 mA)
- 1 pulse/frequency output - 2 inputs
- Available in all common supply voltages
- Multifunctions (density, brix, concentration...)
- Version available with RS 422/485/232 HART interface
- Protection class: IP 65 / Nema 4X
- Power consumption: < 15 W
- Temperature range: -40 to +60°C
- Batch Control
- NTEP (US Weight & Measures) Approval

RHE 07 / RHE 08 - The advanced Rheonik transmitters

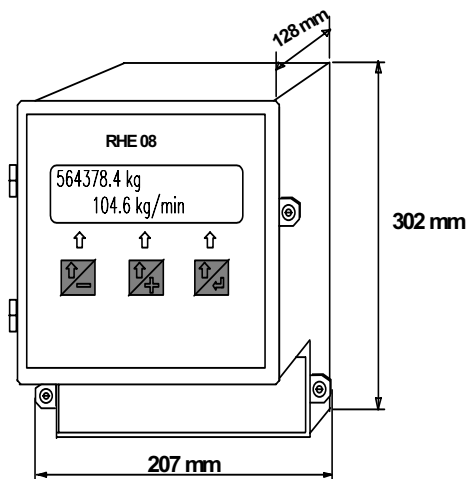
Thousands of units worldwide in use. Suitable for all Rheonik mass flowmeters, with multiple functions and outputs.

The RHE 07



Weight: approx. 1.9 kg / 4.2 lb

The RHE 08



Weight: approx. 4.7 kg / 10.4 lb

Details RHE 07

Housing:	1/3, 19" rack modul (**)
Protection class:	IP 20
Dimensions:	142 x 128 x 230 mm 5.60 x 5.04 x 9.06"
Operating temperature:	-40 to +60°C -40 to +140°F
Display:	LCD (16 charct., 2 lines)
Servicing:	via 3 pushbuttons for all settings
Outputs ^(*) :	2 analog outputs 1 frequency/pulse output 3 digital outputs (Lt, +/-, error...)
Inputs ^(*) :	2 inputs (hold, reset, zero)
Power supply:	230 VAC +/- 10% or 115 VAC +/- 10% or 24 VDC
Interface:	RS 422/485/232 - optional

Details RHE 08

Housing:	Aluminium (wall mounting)
Protection class:	IP 64
Dimensions:	302 x 207 x 128 mm 11.89 x 8.15 x 5.04"
Operating temperature:	-40 to +60°C -40 to +140°F
Display:	LCD (16 charct., 2 lines)
Servicing:	via 3 pushbuttons for all settings
Outputs ^(*) :	2 analog outputs 1 frequency/pulse output 3 digital outputs (Lt, +/-, error...)
Inputs ^(*) :	2 inputs (hold, reset, zero)
Power supply:	230 VAC +/- 10% or 115 VAC +/- 10% or 24 VDC
Cable entries:	4 x M25 x 1.5 - others optional
Interface:	RS 422/485/232 - optional HART - optional

(*) In/outputs via open collector optocouplers.
For details see wiring diagrams.

(**) NMI custody transfer version 1/2, 19" rack modul

RHE 07 / RHE 08 - The advanced Rheonik transmitters

Thousands of units worldwide in use. Suitable for all Rheonik mass flowmeters, with multiple functions and outputs.

The RHE 07 (*) / Order Code

RHE 07			
Power Supply	A1		230 VAC +/- 10%
	A2		115 VAC +/- 10%
	D1		24 VDC +/- 10%
Digital Interfaces	I0		Interface RS 485
	I1		Interface RS 422
	I2		Interface RS 232
	NN		None
EEx Class	N		None
	AT		ATEX Approval Ex II (1) G [EEx ia] IIC
	CS		CSA Approval Class 1, Div 2

I.e.: RHE 07 A1 NN AT

(*) *Standard configuration includes:
2 analog outputs, 1 pulse / frequency output, 3 digital outputs, 2 inputs (see wiring diagram for details).*

The RHE 08 (*) / Order Code

RHE 08			
Power Supply	A1		230 VAC +/- 10%
	A2		115 VAC +/- 10%
	D1		24 VDC +/- 10%
Digital Interfaces	I0		Interface RS 485
	I1		Interface RS 422
	I2		Interface RS 232
	HH		Interface HART (not available with Batch option)
	NN		None
EEx Class	N		None
	AT		ATEX Approval Ex II (1) G [EEx ia] IIC
	CS		CSA Approval Class 1, Div 2

I.e.: RHE 08 A1 NN AT

(*) *Standard configuration includes:
- 2 analog outputs, 1 pulse / frequency output, 3 digital outputs, 2 inputs (see wiring diagram for details).
- 4 cable entries M25 x 1.5. Others (1/2" NPT-F, 3/4" NPT-F and M20 x 1.5) available on request.*